

## **CHEM-GARD® CGC** *Thermoplastic* **CLOSE COUPLED** **CENTRIFUGAL PUMPS**

- POLYPROPYLENE (PP)
- POLYVINYL FLUORIDE (PVDF)
- FLOWS TO 550 gpm ■ Heads to 220 feet
- Temperatures to 275°F

When space is critical, cost savings important, and dependable transfer of aggressive or ultrapure fluids a must, the Vanton series of close-coupled, end suction thermoplastic centrifugal pumps is ideal. Its small footprint reduces space requirements by as much as 20%, initial cost is appreciably lower than conventional foot mounted centrifugal pumps, and its availability in solid molded homogeneous polypropylene and polyvinylidene fluoride assures reliable fluid handling without corrosion or product contamination. These quality engineered metal armored, solid (not lined) nonmetallic pumps incorporate the superior design and manufacturing innovations of the Vanton Chem-Gard® line in a smaller, more compact envelope especially significant for OEM equipment.

Vanton CGC pumps are available in your choice of tangential or centerline discharge that allows removal for maintenance without disturbing existing piping. Both offer easy seal access configuration. Their innovative construction includes a pump shaft assembly completely independent of the motor shaft, minimizing maintenance and extending motor service life. The pumps are designed to accommodate standard C-face motors and commercial mechanical seals. Where product contamination can not be tolerated, all fluid contact components can be furnished in virgin natural and unpigmented thermoplastics to assure the integrity of high purity water, chemicals, pharmaceuticals and semiconductor fluids.

### **Advantages of Thermoplastics**

- No corrosion or rusting. Metals corrode, plastics don't.
- No interbatch product contamination. Fiberglass composites wick and absorb fluids by capillary action. Solid, homogeneous thermoplastics don't.
- No danger of metallic contamination.
- No problems with galling. Easier maintenance.
- Superior resistance to abrasion than metals or fiberglass composites.
- Greater chemical resistance over the pH range than stainless steel or fiberglass composites.



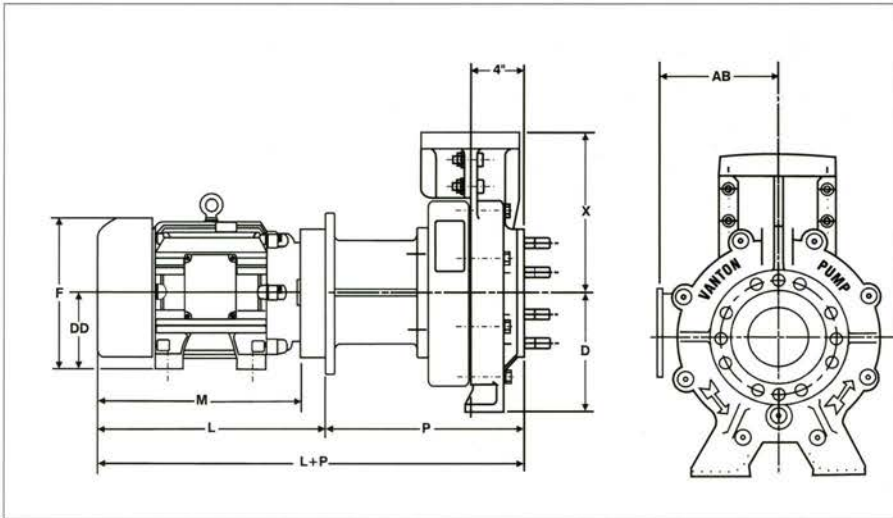
Chem-Gard® CGC ANSI close-coupled, thermoplastic centrifugal pump



Compact footprint is 20% shorter than standard foot-mounted designs.



# CHEM-GARD® THERMOPLASTIC CLOSE COUPLED CENTRIFUGAL PUMPS



## Specifications:

1. Pump casing and cover molded from virgin, homogeneous thermoplastic.
2. Dynamically balanced, molded homogeneous thermoplastic semi-open or closed vane impeller with imbedded stainless steel insert. Key driven to assure positive drive in either direction.
3. Alloy steel, large diameter shaft with wet and completely isolated from fluid contact by a thick sectioned thermoplastic sleeve.
4. Pump accommodates standard single and double mechanical seals without modification. Seals are reverse mounted with nonmetallic seal component inboard to avoid any metal-to-fluid contact, making it unnecessary to use expensive high alloy or exotic metals.
5. Shaft bearing is lubricated by direct product flush and positioned to minimize shaft deflection and extend service life.
6. Metal armor totally encloses thermoplastic casing and flanges to provide nozzle loadings comparable to those of metal pumps.

ANSI DESIGNATION	AA	A-10	A-60	A-70	A-70	A-40	A-80
PUMP SIZE	1½x 1X6	3x2x6	3x2x8	4x3x8	4x3x10	4x3x13	6x4x13
SUCTION	1½	3	3	4	4	4	6
DISCHARGE	1	2	2	3	3	3	4
X	6½	8¼	9½	11	11	12½	13½
D	5¼	8¼	8¼	8¼	8¼	10	10
P	5¼	7¼	7¼	7¼	7¼	8½	8½

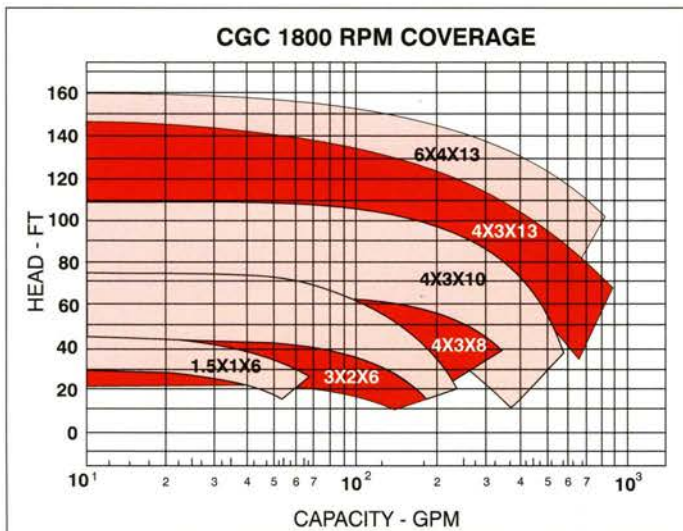
Nominal Dimensions  
(inches)

FRAME SIZE	143 TC	145 TC	182 TC	184 TC	213 TC	215 TC	254 TC	256 TC	284 TC	286 TC
M	10.32	10.32	13.13	13.13	15.88	15.88	19.66	19.66	22.94	22.94
L	10.32	10.32	14.00	14.00	17.25	17.25	21.66	21.66	25.56	25.56
DD	3.50	3.50	4.50	4.50	5.25	5.25	6.25	6.25	7.0	7.0
F	7.50	7.50	9.25	9.25	11.0	11.0	12.18	12.18	12.87	12.87
AB	6.37	6.37	7.12	7.12	8.68	8.68	9.62	9.62	13.12	13.12

- Dimensions and specifications subject to change and may vary slightly with motor manufacturer selected.
- 50 Hertz performance curves and metric dimensions are available on request.
- For higher horsepower and operating speeds consult factory.
- Catalog sheets available on other Vanton centrifugal pump models including self-priming designs, vortex heads, magnetic drive and foot mounted pumps.

Chem-Gard® Close-Coupled  
Centrifugal CGC line of pumps

## PERFORMANCE CHARACTERISTICS – 60 Hz



www.vanton.com

# VANTON

VANTON PUMP & EQUIPMENT CORP

201 Sweetland Avenue • Hillside, NJ 07205-1793

Tel. 908-688-4216 • Fax: 908-686-9314

E-mail: mkt@vanton.com

Europe: Vanton Pumps, Ltd., Cheshire, England

E-mail: sales@vantonpump.com